

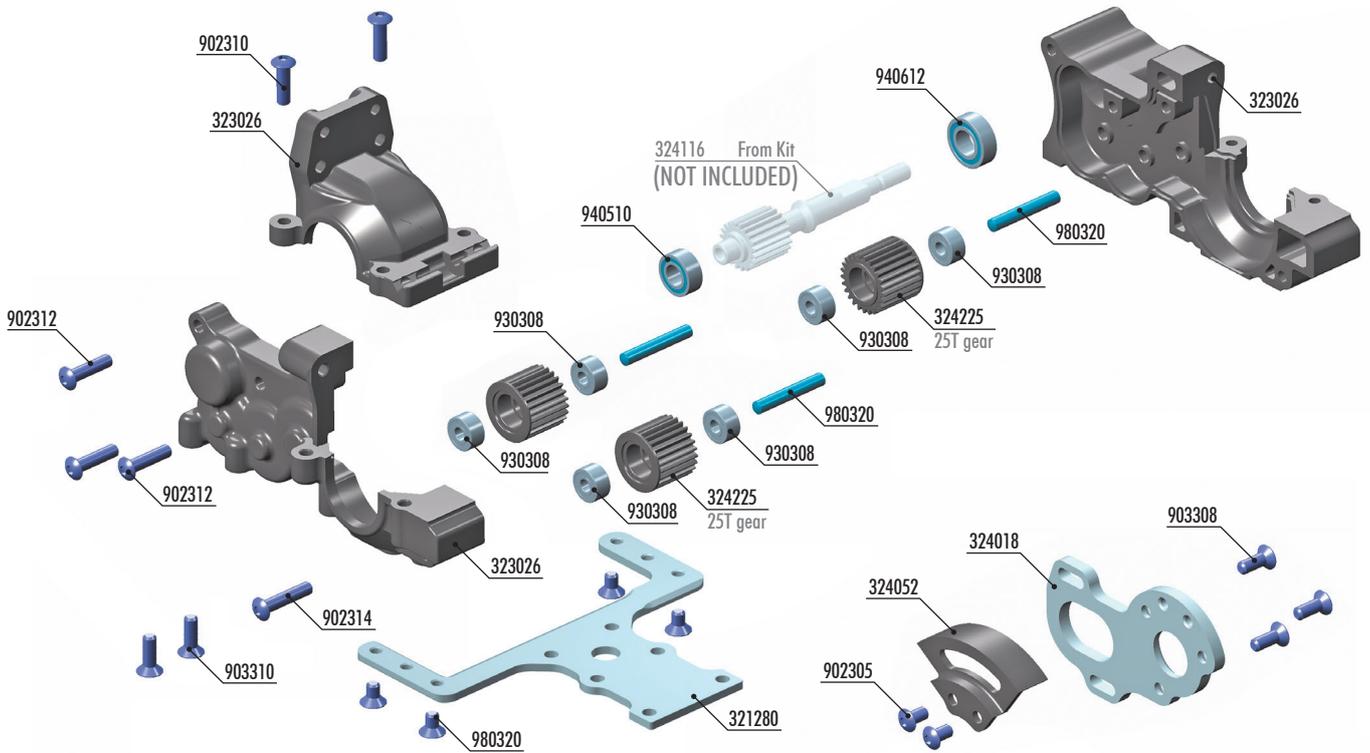
# XRAY XB2



#320905

OPTION

## XB2 5G GEAR BOX CONVERSION SET



The 5G Gear Box is an experimental option designed exclusively for skilled, high-competition customers who prioritize performance over reliability. This part is not recommended for those who seek reliability as their primary concern. There is no guarantee regarding the lifespan or resistance to wear and stripping of the gears. The extreme settings of the electronics, especially with aggressive brake settings, have a negative effect on the lifespan and reliability of the gears. Users of the 5G Gear Box do so at their own discretion.

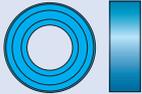
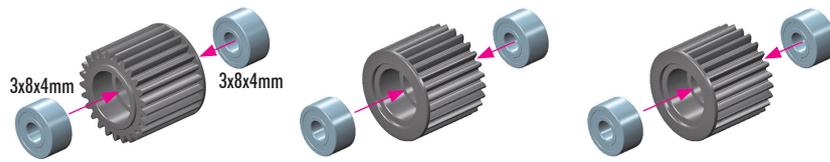
To increase the lifespan of the gears, it is suggested that they be regularly lubricated with #106210 – HUDY Graphite Grease. It is recommended to fully grease all internal gears after every hour of operation.

To further increase the lifespan, the slipper should not be overtightened, which means the front tires should lift only slightly when setting up the slipper according to the XB2 instruction manual.



6x 930308  
BB 3x8x4

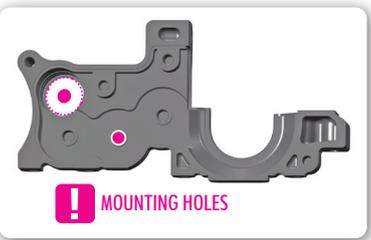
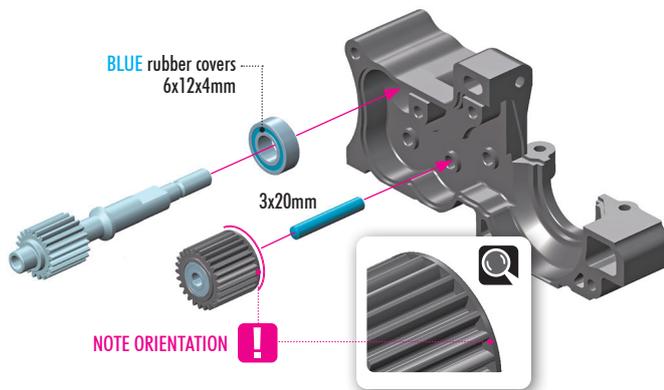
3x



1x 940612  
BB 6x12x4



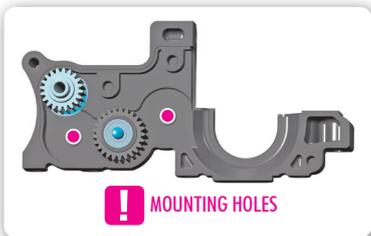
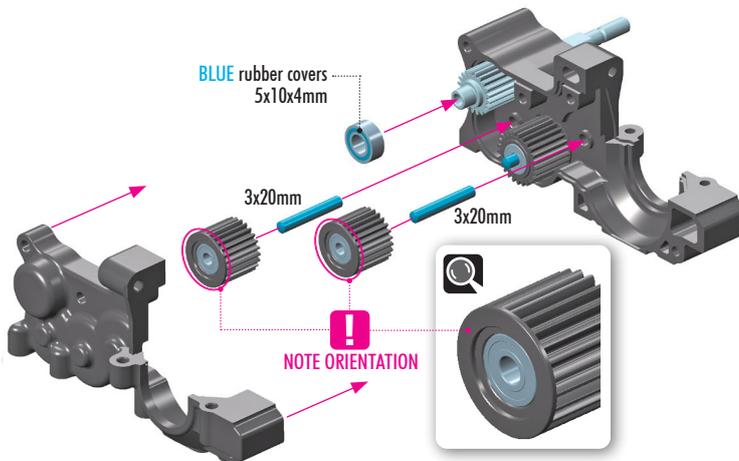
1x 980320  
P 3x20

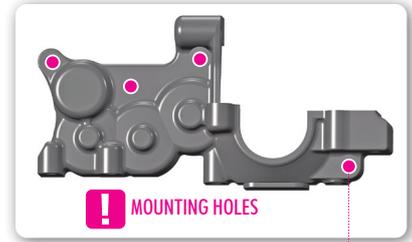
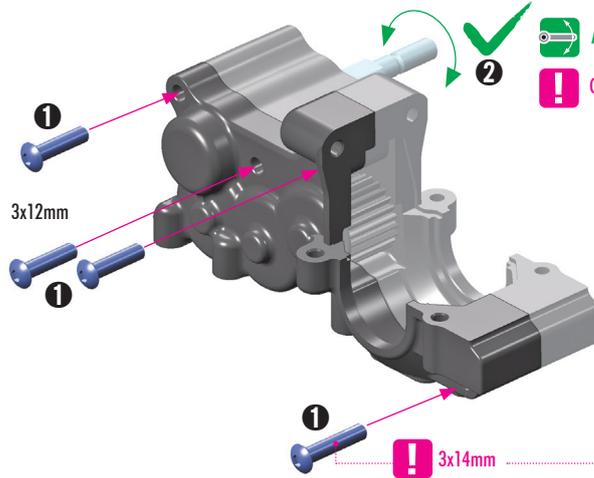


1x 940510  
BB 5x10x4



2x 980320  
P 3x20





Next follow the 5G Gear Box assembly instructions following these pages and steps in the instruction manual XB2'25:

Page 11 / step 1 + step 2

Page 12 / step 1 + step 2 + step 3

Page 14 / step 1

Page 15 / step 1 + step 2

Some of the screws must be used from the kit.

